

# DRAINING WATER OUTLET



## INDEX

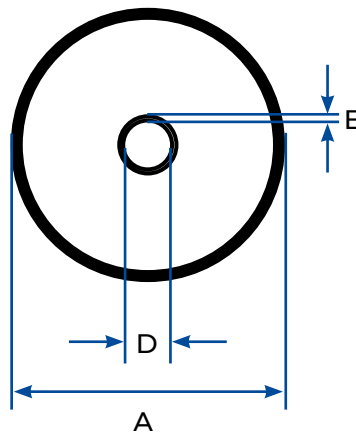
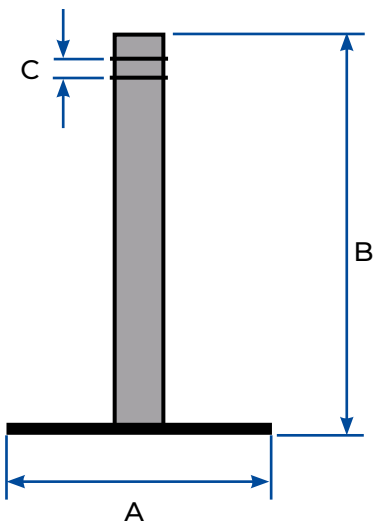
1. Code Registry
2. Use
3. Technical Specification

## 1. CODE REGISTRY

| Code        | Description           | Dimension (mm) | Weight        | Pkg. / Pallet      |
|-------------|-----------------------|----------------|---------------|--------------------|
| BOC01-1109  | Draining water outlet | ø 63           | 0,198 kg/pcs. | 25 pcs. / 150 pcs. |
| BOC01-1109S | Draining water outlet | ø 75           | 0,190 kg/pcs. | 25 pcs. / 150 pcs. |
| BOC01-1110  | Draining water outlet | ø 80           | 0,192 kg/pcs. | 25 pcs. / 150 pcs. |
| BOC01-1110S | Draining water outlet | ø 90           | 0,193 kg/pcs. | 25 pcs. / 150 pcs. |
| BOC01-1111  | Draining water outlet | ø 100          | 0,195 kg/pcs. | 20 pcs. / 120 pcs. |
| BOC01-1111S | Draining water outlet | ø 110          | 0,362 kg/pcs. | 20 pcs. / 120 pcs. |
| BOC01-1112  | Draining water outlet | ø 120          | 0,215 kg/pcs. | 20 pcs. / 120 pcs. |

### MATERIAL

Made of TPE (thermoplastic elastomer).



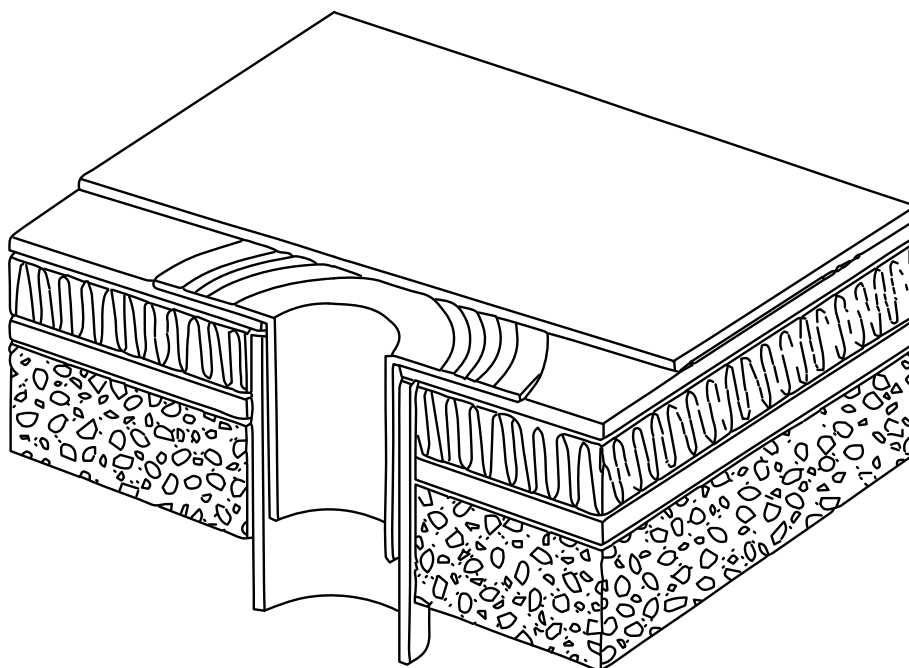
| DESCRIPTION | A   | B   | C  | D*  | E   |
|-------------|-----|-----|----|-----|-----|
| BOC01-1109  | 320 | 240 | 32 | 63  | 1,5 |
| BOC01-1109S | 320 | 240 | 32 | 75  | 1,5 |
| BOC01-1110  | 320 | 240 | 32 | 80  | 1,5 |
| BOC01-1110S | 320 | 240 | 32 | 90  | 1,5 |
| BOC01-1111  | 320 | 240 | 32 | 100 | 1,5 |
| BOC01-1111S | 320 | 240 | 32 | 110 | 1,5 |
| BOC01-1112  | 320 | 240 | 32 | 120 | 1,5 |

\* pipe from

# DRAINING WATER OUTLET

## 2. USE

Used for vertical evacuation of rainwater in flat roofs.



## 3. TECHNICAL SPECIFICATION

| Specification            | Description   | Unity | Price |
|--------------------------|---|-------|-------|
| <b>Dak.O.BOC01.110x</b>  | Supply and installation of draining water outlet consists in a flange, tube has a length of 240 mm and different diameters.<br>Made of TPE (thermoplastic elastomer).<br>Used for vertical evacuation of rainwater in flat roofs. |       |       |
| <b>Dak.O.BOC01.1109</b>  | Dimension $\varnothing$ 63 mm.....  | pc.   | -     |
| <b>Dak.O.BOC01.1109S</b> | Dimension $\varnothing$ 75 mm.....  | pc.   | -     |
| <b>Dak.O.BOC01.1110</b>  | Dimension $\varnothing$ 80 mm.....  | pc.   | -     |
| <b>Dak.O.BOC01.1110S</b> | Dimension $\varnothing$ 90 mm.....  | pc.   | -     |
| <b>Dak.O.BOC01.1111</b>  | Dimension $\varnothing$ 100 mm.....   | pc.   | -     |
| <b>Dak.O.BOC01.1111S</b> | Dimension $\varnothing$ 110 mm.....   | pc.   | -     |
| <b>Dak.O.BOC01.1112</b>  | Dimension $\varnothing$ 120 mm.....   | pc.   | -     |